

Basler L I00 Series



The L I00 Line Scan Series

Basler L100 Series Cameras

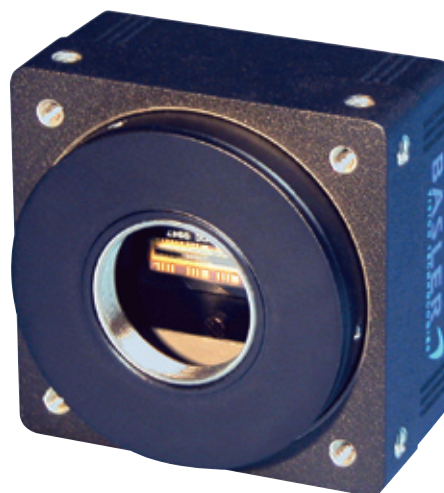
The L100 Series of digital line scan cameras is designed for industrial users who require superior image quality with high-speed data acquisition. The cameras can be triggered via an external sync signal or run in an internally controlled “free-run” mode. L100 cameras operate with a single voltage power supply and have simple cabling requirements. A combination of features such as digital shift, test images, and indicator LEDs, ensure that these versatile cameras provide an exceptional price/performance ratio.

The Basler L100 Series features the following benefits:

- Superior image quality improves your image processing results
- Super compact size reduces the space needed in your installation
- 100% factory testing ensures consistent product quality
- LED indicators and test image generation capability reduce your integration time and aid troubleshooting
- Windows® setup tool lets you configure your camera with ease
- Electronic exposure time control provides maximum flexibility

L101k, L103k and L104k Cameras Are Ideal for a Variety of Applications Including:

- Document scanning
- Print inspection
- Web inspection
- Production line item inspection
- OCR and 2-D bar code reading
- Many other vision applications



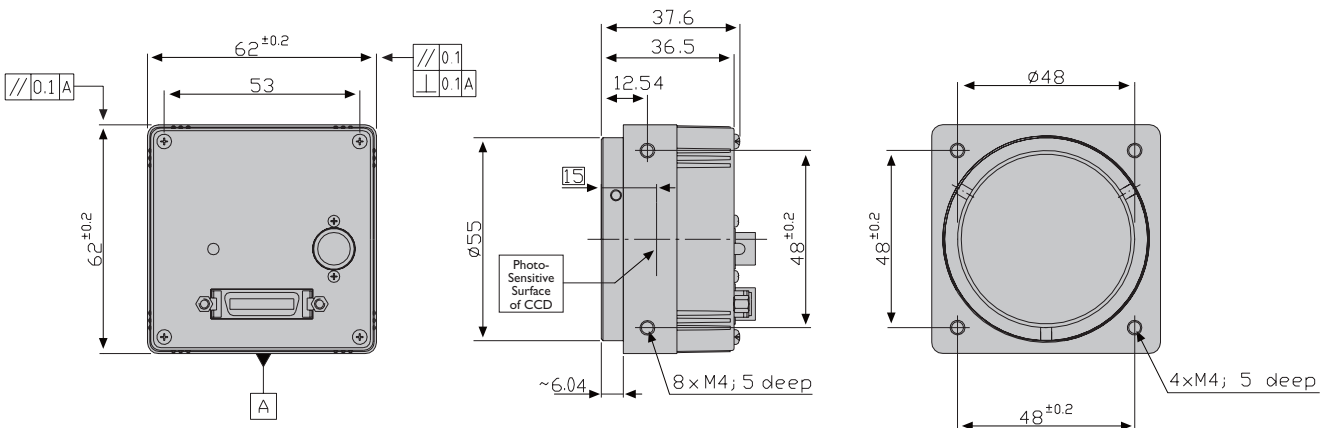
Specifications

Basler LI00 Series		LI01k	LI03k	LI04k
Sensor Size	1024 or 2048 pixels, available on all cameras			
Sensor Type	Linear CCD used on all cameras			
Pixel Size	10.0 μm x 10.0 μm with 10.0 μm pitch			
Pixel Speed		20 MHz	40 MHz	62.5 MHz
Max. Line Rate	1k Sensor:	18.7 kHz	35.7 kHz	58.5 kHz
	2k Sensor:	9.5 kHz	18.7 kHz	29.2 kHz
Video Output Format	Single or dual tap 8 or 10 bits (selectable)			
Synchronization	Via external trigger or free-run			
Exposure Control Models	Edge-controlled, level-controlled or programmable, on all cameras			
Power Requirements		12VDC (±10%) max. 6.5 W	max. 8.5 W	max. 10.0 W
Lens Mounts	C-mount or F-mount available for all cameras, F-mount recommended for 2k			
Housing Size (L x W x H)	37.6 mm x 62.0 mm x 62.0 mm			
Weight (with F-mount adapter)	Max. 285 g			
Conformity	CE and FCC			

Specifications are subject to change without prior notice.

Dimensions (in mm)

LI00k (Camera Link)



What Makes Basler Camera Quality So Special?



Basler Camera Test Tool

To ensure consistently high product quality, we employ several quality inspection procedures during manufacturing. This list describes some of the most essential actions we take to meet your highest requirements.

- The back focal length on each camera is carefully measured and adjusted. This guarantees an optimum distance between the lens flange and the sensor and compliance with optics standards.
- Our advanced Camera Test Tool (CTT+), the first fully-automated inspection system for digital cameras, checks all of the significant quality aspects of each camera we produce. The CTT+ is a unique combination of optics, hardware, and software that can be quickly and efficiently used to calibrate a camera and to measure its performance against a set of standards. For defined sets of conditions, an automated software program examines the camera's output, makes any calibration adjustments necessary, and compares the output to a strictly defined set of performance criteria.



www.baslerweb.com

Germany, Headquarters

Phone +49 4102 463 500
 Fax +49 4102 463 599
bc.sales.europe@baslerweb.com

USA

Phone +1 610 280 0171
 Fax +1 610 280 7608
bc.sales.usa@baslerweb.com

Singapore

Phone +65 6425 0472
 Fax +65 6425 0473
bc.sales.asia@baslerweb.com